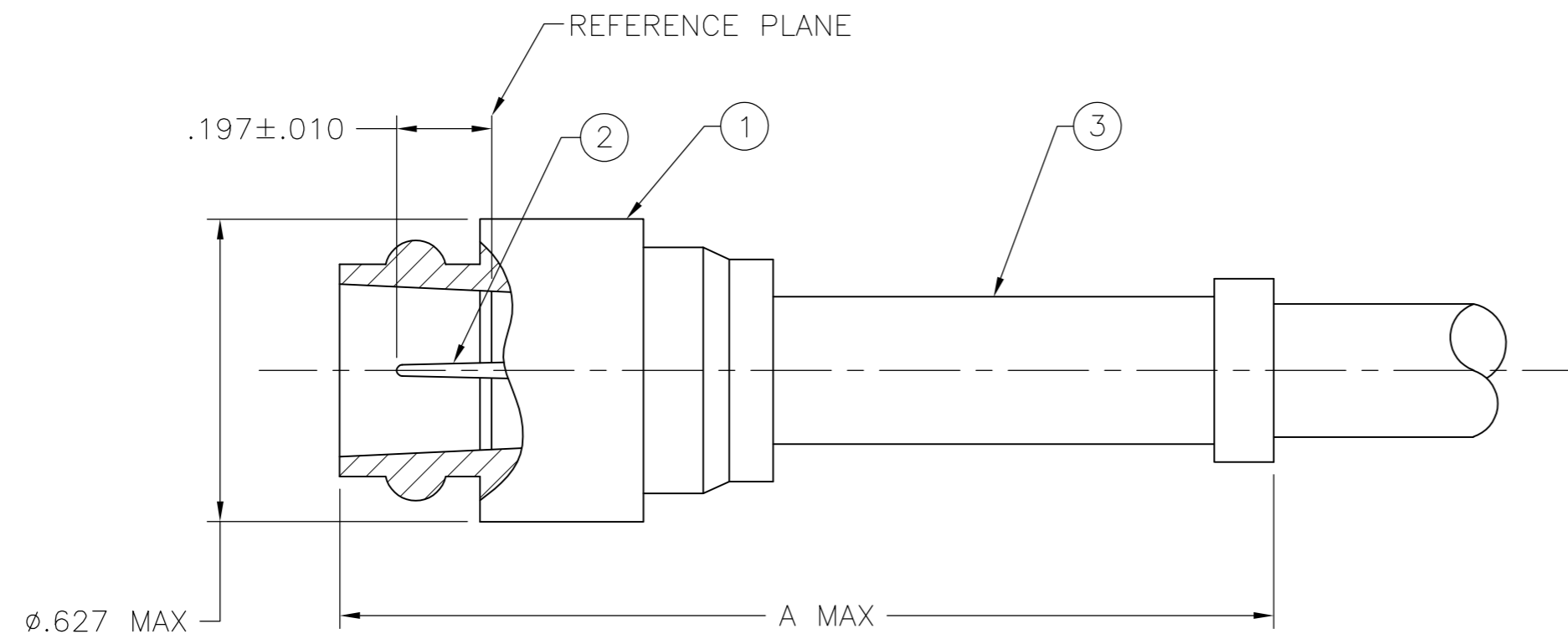
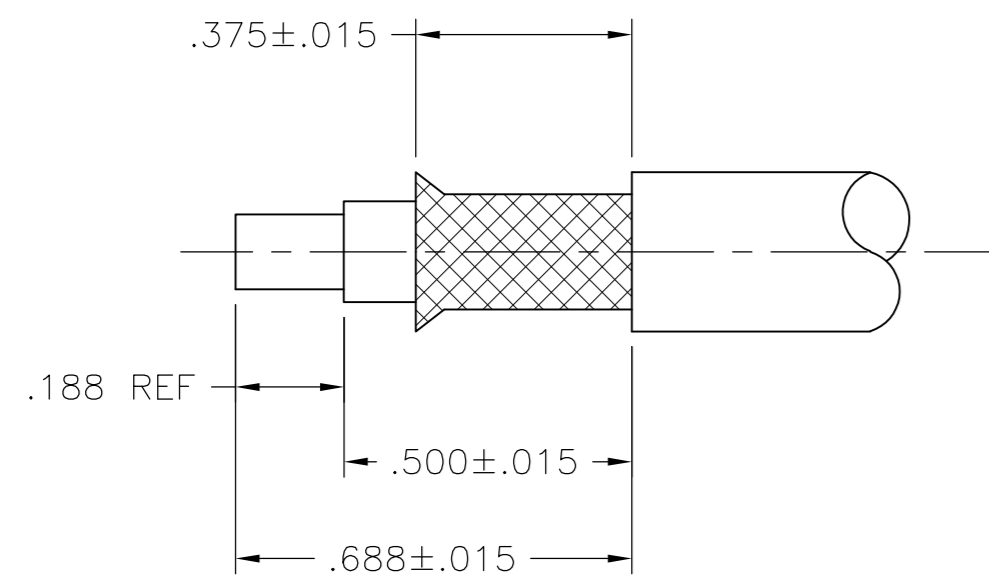


THIS DRAWING IS UNPUBLISHED. RELEASED FOR PUBLICATION
 © COPYRIGHT BY TYCO ELECTRONICS CORPORATION. ALL RIGHTS RESERVED.

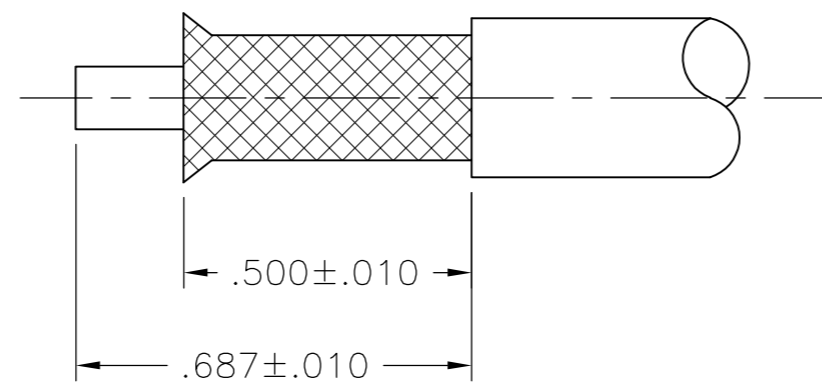
LOC	DIST	REVISIONS					
		P	LTR	DESCRIPTION	DATE	DWN	APVD
AJ	17	0		RELEASED PER EC OS14-0496-04	14FEB05	BM	GM
		01		REVISED PER ECO-09-024606	31OCT09	KK	AEG



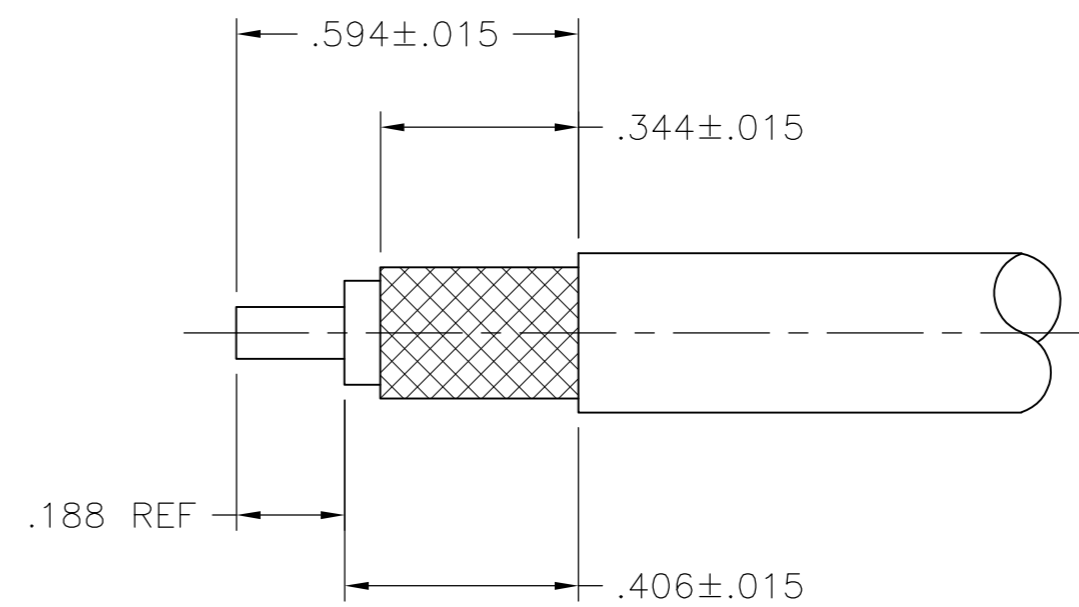
- 1. SEE 1.5. 2028-2
- 2. RG-9/U, RG-9A/U, RG-9B/U & RG-214/U
- 3. OBSOLETE PARTS: OBSOLETE CIS STREAMLINING PER D.RENAUD/D.SINISI



DETAIL X



DETAIL Y



DETAIL Z

RECOMMENDED STRIP LENGTHS

	RG-58/U & RG-58C/U	DETAIL Z	1.765	220045-2	9-225560-1	225106-1	226668-1	1-5225664-2
	RG-213/U & RG-8/U	DETAIL X	1.937	220015-1	9-331987-0	51704-2	225082-3	5225664-2
3	OBSOLETE	DETAIL Y	1.937	220015-1	9-331987-1	51704-2	225082-3	5225664-1
	CABLE	STRIP LENGTH	A MAX	CRIMP TOOL	3 FERRULE QTY: 1	2 CONTACT QTY: 1	1 JACK BODY QTY: 1	PART NUMBER

THIS DRAWING IS A CONTROLLED DOCUMENT.

DIMENSIONS: INCHES	TOLERANCES UNLESS OTHERWISE SPECIFIED:	DWN B.MCMMASTER 14FEB05	Tyco Electronics Corporation Harrisburg, Pa 17105-3608
	0 PLC ± -	CHK G. MICHAEL 14FEB05	
	1 PLC ± -	APVD G. MICHAEL 14FEB05	
	2 PLC ± -	NAME	
	3 PLC ± -	PRODUCT SPEC	COAXIAL, SERIES N, JACK- WEATHERPROOF
	4 PLC ± -	APPLICATION SPEC	RESTRICTED TO
	ANGLES ± -	WEIGHT	SIZE CAGE CODE DRAWING NO
MATERIAL	FINISH	CUSTOMER DRAWING	A2 00779 C=5225664
		SCALE 2:1	SHEET 1 OF 1
			REV 01